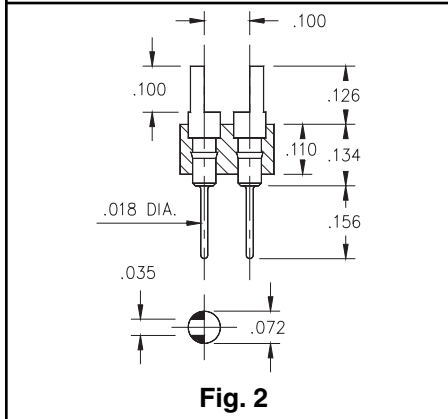


- Series 450, 460, 470, 480 double row Header Strips come with various contacts (pin, slotted head, turret and solder cup) with pluggable solder tails. (M-M# 0290, 0282, 0700, or 8000 see pages 173 & 174 for details).



### Ordering Information



**Fig. 1**

**Series 450...001 Pin / Solder Tail**

450-XX-2\_\_-00-001

Specify # of pins → 02-64

**Fig. 2**

**Series 460...001 Slotted Head / Solder Tail**

460-XX-2\_\_-00-001

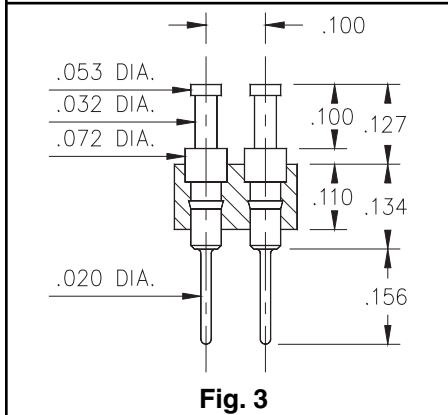
Specify # of pins → 02-64

**Fig. 3**

**Series 470...001 Turret / Solder Tail**

470-XX-2\_\_-00-001

Specify # of pins → 02-64

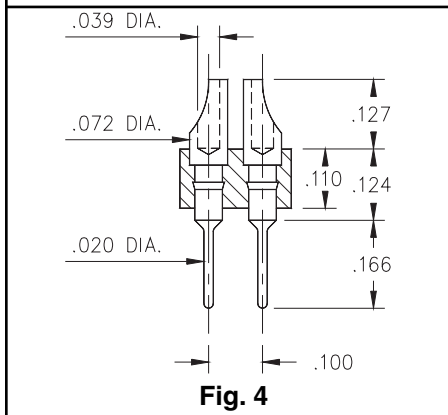


**Fig. 4**

**Series 480...001 Solder Cup / Solder Tail**

480-XX-2\_\_-00-001

Specify # of pins → 02-64



*XX= Plating Code  
See Below*

*For High  
Temperature  
Insulators Add '100'  
To End Of  
Part Numbers*

SPECIFY PLATING CODE XX=	<b>10</b>	<b>90</b>		
Pin Plating	10μ" Au	200μ" Sn/Pb		